

**DARAY**<sup>®</sup>  
Medical



**CC50**  
**OPERATING MANUAL**

GAM.CC50.1112.3

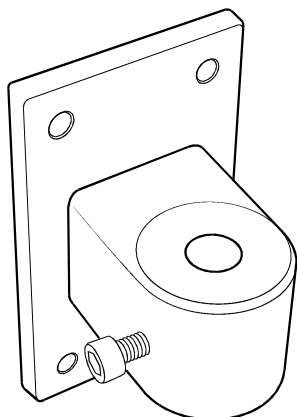
# **DARAY**<sup>®</sup> Medical

1.	WALL MOUNTING	3
2.	DESK MOUNTING	
3.	INSTRUCTIONS FOR USE	3
4.	RETURNS POLICY	4
5.	WARRANTY	5
6.	WARRANTY REGISTRATION	7

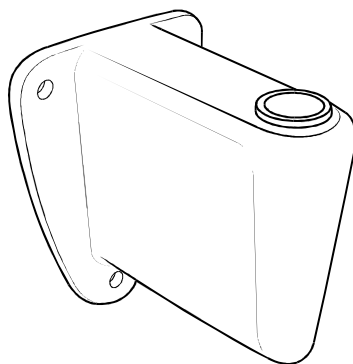
**Tel: 0844 375 9000 Fax: 0333 321 0973**  
**email: [info@daray.co.uk](mailto:info@daray.co.uk) url: [www.daray.co.uk](http://www.daray.co.uk)**

## 1. WALL MOUNTING

- Remove the light from its packaging.
- Mark on the wall the selected location for the wall-mounting bracket, bearing in mind the final position of the light-head.
- Screw the bracket to the wall.
- Fit the spigot on the end of the light arm into the wall bracket.
- Please note screw fittings are not included
- Tighten the locking screw to lock the light into the bracket whilst still allowing it to turn.



PIVOTW



PIVOTW2

## 4. DESK MOUNTING

- Remove the light from its packaging.
- Slacken the desk clamp so that its jaws just clear the desk edge.
- Tighten the clamp sufficiently to provide a rigid mounting for the light.
- Fit the spigot on the end of the light arm into the top of the clamp and tighten the locking screw to lock the light into the clamp whilst still allowing it to turn.

## 3. INSTRUCTIONS FOR USE

- Plug the CC50 into a 13A mains socket
- Operate the light by using the push-button switch on the light-head

**Unplug the power supply when the light is not going to be used for extended periods.**

## 4. Returns Policy

**IMPORTANT!**  
Before returning your item, you must call us on 0844 375 9000

We want you to be completely satisfied with your purchase. If you need to return goods purchased from DARAY Ltd, please read the following information carefully.

The DARAY Ltd returns policy provides guidance on when you can return goods we have supplied, and what you can expect from us once you do.

TYPE OF RETURN	REMEDY
<b>DAMAGED GOODS</b> Goods which are physically damaged on delivery	We must be notified within 24 hours of receipt.
<b>Dead On Arrival (DOA)</b> Goods which do not work	Goods which do not work on arrival or develop a fault within 28 days, we will advance replace the item.
<b>GOODS DEVELOPING A FAULT</b> Goods which have developed a fault within the warranty period.	If the fault develops after 28 days, but within the warranty period, we will initiate the returns procedure.
<b>NON WARRANTY</b> Goods which have developed a fault outside the warranty period.	If a fault develops outside the warranty period, we will initiate the returns procedure charges may be applicable.
<b>OTHER</b> Any situation which is not covered by any of the above.	We will always try to help, but we cannot normally offer a refund.

For additional clarification, please refer to our terms and conditions at [www.daray.co.uk/terms](http://www.daray.co.uk/terms).

In a small number of cases, we may determine that a replacement would not work any better than the original product we supplied. In such cases we will only offer a refund rather than a replacement for qualifying returns.

Replacement bulbs and spare parts ordered on our website or from supplied part codes are not eligible for credit. We will accept returns and exchange for the correct item.

If your purchase an item incorrectly you can return it within 14 days and it can be exchanged for another product of equal or higher value, excluding transportation charges incurred. Goods and packaging must be returned in their original condition. Under no circumstances will goods be accepted for return if they are damaged, have been subjected to improper handling or abuse or have been used.

If you send us goods that do not qualify for return, you will invalidate your claim to any refund, and you will be obliged to compensate DARAY Ltd for the cost of return postage and any other reasonable costs incurred processing the goods.

**Your statutory rights are not affected.**

# WARRANTY

## TERMS AND CONDITIONS OF WARRANTY

1. To qualify for this warranty you must register on [www.daray.co.uk](http://www.daray.co.uk) or return to DARAY Ltd (DARAY) the duly completed warranty-registration form accompanying the product.
2. DARAY warrants this product (excluding lamp) against faulty material and workmanship during the period of the warranty. The period of warranty is the period stated on your warranty card and commences on the date of purchase of the product. In the event that the product is not in good working order DARAY will provide, during the warranty period, a free repair service within the United Kingdom. The warranty is subject to proof of purchase being provided; therefore, you should retain your original receipt.
  - 2.1 The repair service consists of the provision of spare parts and/or replacement products (at DARAY's discretion) which will be provided on an exchange basis and will either be new, equivalent to new or reconditioned. All replaced spare parts and products shall become the property of DARAY.
  - 2.2 DARAY's only obligation under this warranty is the provision of the service as set out above.
  - 2.3 All products are returned to DARAY at the customer's cost and risk. Products to be returned should be adequately packed. For the address to send returns to please visit [www.daray.co.uk](http://www.daray.co.uk)
3. DARAY's arrangements for providing service provided under this warranty may include the use of sub-contractors.
4. This warranty does not cover damage or defects in the Product caused by or resulting from:
  - Wilful neglect or negligence by anyone other than DARAY;
  - Improper use, storage or handling of the product;
  - Use of non-DARAY approved parts (such as replacement lamps) not compatible with the Product;
  - Fire, accident or disaster;
  - Use of non-DARAY modifications other than in accordance with Daray's instructions;Attachment of fittings and accessories not approved by DARAY;  
Repairs, modifications carried out by service personnel not approved by DARAY;
  - Damage caused by chemical corrosion from cleaning agents not approved by DARAY.
  - Failure to use or install the product in accordance with the manufacturer's instructions.
5. Nothing in this warranty shall have the effect of restricting or excluding the liability of DARAY in respect of:
  - a) Death and personal injury caused by the negligence of DARAY, or for fraud;
  - b) Under the Consumer Protection Act 1987 to a person who has suffered damage caused by a defective product or to a dependant or relative of such a person;
  - c) Direct damage to your property caused by the proven negligence of DARAY.
6. This agreement does not give any rights other than those expressly set out above and in particular, DARAY will not be responsible for any loss of income, profits or contracts or any direct or indirect consequential loss, damage caused to or suffered by the purchaser as a direct result of this agreement.
7. This warranty is offered (subject to these terms and conditions) in addition to, and does not affect your statutory rights.
8. DARAY may disclose your details and other personal information to companies within the DARAY group including any subsidiary company or sub contractor of DARAY for the purposes of performing our obligations hereunder.
9. You must not resell outside the UK any products supplied by DARAY and covered by the Export of Goods (Control) Order 1992 (or any law that replaces it) without obtaining all necessary licences. You also agree not to sell the product in the UK if you know or think that the person buying the product intends to export it without getting the necessary licences. You agree to impose similar conditions to these on anyone you sell the product to.
10. These conditions shall in all respect be governed and construed in accordance with English law and the exclusive jurisdiction of the English court



# DARAY<sup>®</sup>

WARRANTY REGISTRATION  
TO VALIDATE YOUR WARRANTY  
PLEASE COMPLETE IN BLOCK CAPITALS  
AND RETURN IN A WINDOWED DL ENVELOPE  
TO OUR FREEPOST ADDRESS

**ALTERNATIVELY REGISTER ONLINE AT [WWW.DARAY.COM](http://WWW.DARAY.COM)**



## 1 YEAR WARRANTY

NAME:
COMPANY:
EMAIL:
PHONE:
FAX:

ADDRESS:
----------

PURCHASED FROM:
-----------------

DATE OF PURCHASE:
-------------------

Freepost Plus RRAS-YGXE-SLBC  
Daray Ltd  
Marquis Drive  
SWADLINCOTE  
DE12 6EJ

Occasionally DARAY would like to send you information about our special offers and promotions. If you do not wish to receive such information, please tick here:

Privacy statement: DARAY will not pass on your details to any third party.

PRODUCT:
SERIAL No: