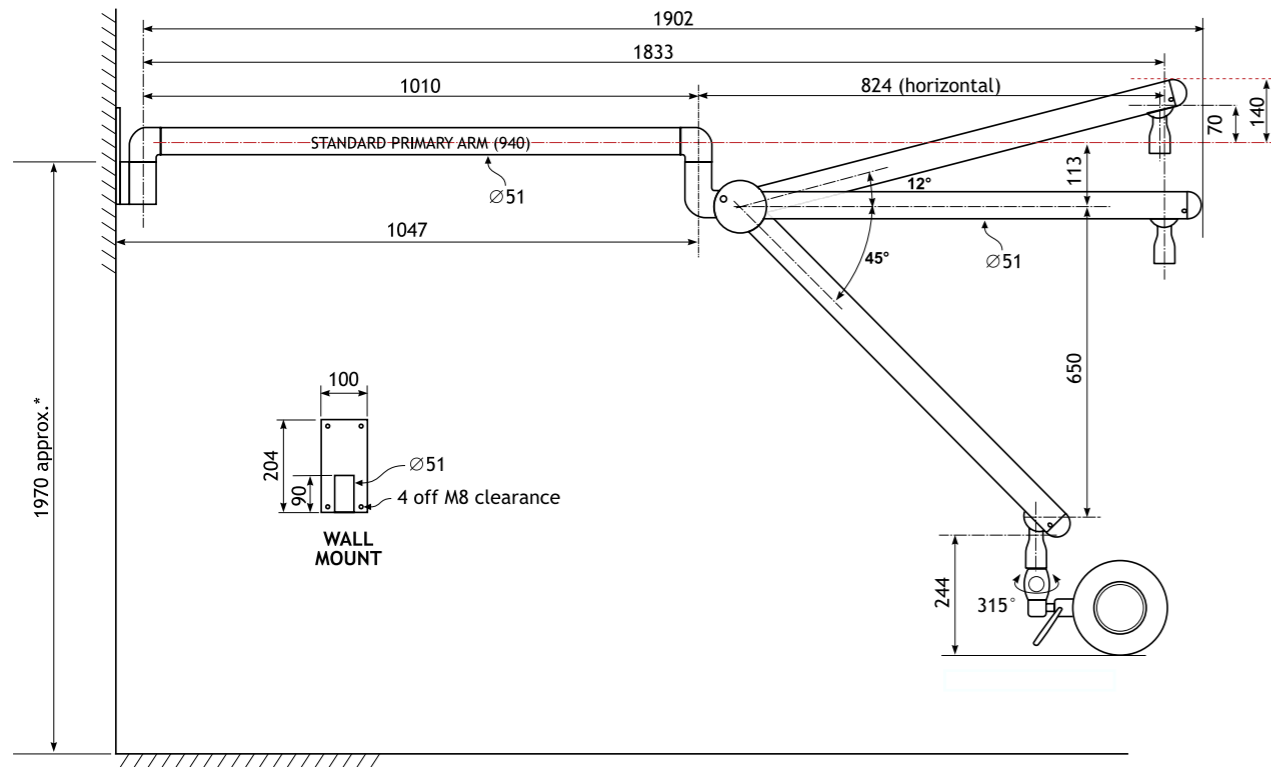
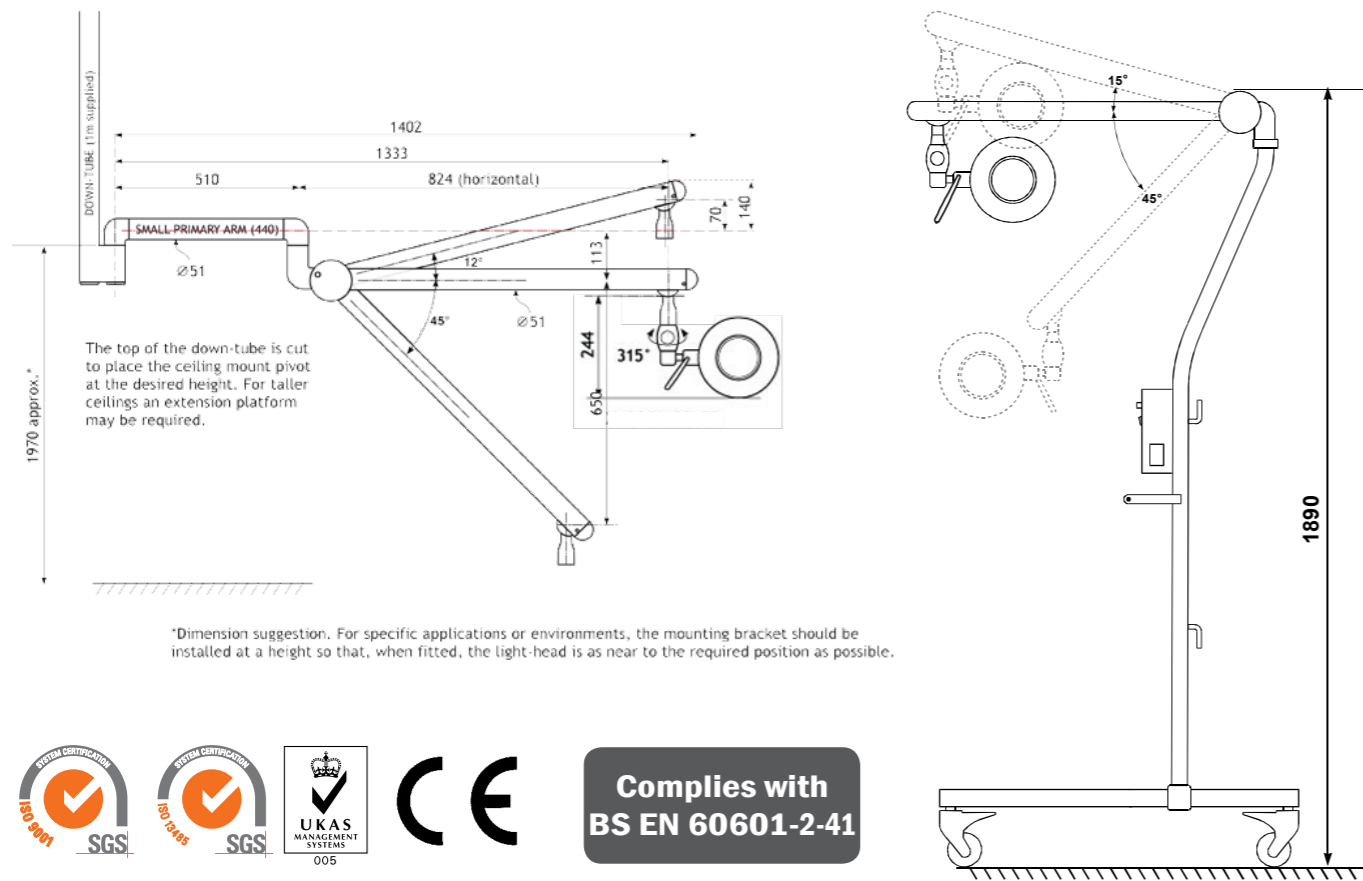


X400LED



*Dimension suggestion. For specific applications or environments, the mounting bracket should be installed at a height so that, when fitted, the light-head is as near to the required position as possible.



*Dimension suggestion. For specific applications or environments, the mounting bracket should be installed at a height so that, when fitted, the light-head is as near to the required position as possible.



Complies with
BS EN 60601-2-41

www.daray.com
Tel: 0800 804 8384 Email: info@daray.co.uk

QAB-X400LED-5-1110

nviroLED™
vision of the future
We've gone green, why don't you?

X400LED

LED examination light



Lowest 'total cost of ownership'
examination light

Our LED lighting has been developed
to replace halogen completely.

Normally, drastic changes like this lead
to a compromise – but there isn't one!

Sound too good to be true?

DARAY®
Medical

DARAY®
Medical

www.daray.com

Tel: 0800 804 8384 Email: info@daray.co.uk

DARAY®

LED lighting, the vision of the future

X400

Features

- Variable Intensity from 0% to 100%.
- Excellent colour rendering - totally natural skin tones.
- Emits no infrared radiation - no increase in temperature in the light-field.
- A strong beam of light that with an even intensity across the entire area for clearer viewing and reduced eye strain.
- No life-risk voltage at the light-head.
- BioProtect® anti-microbial coating for infection control - reduce the population of bacteria such as MRSA and E.Coli by between 99.99% and 99.9999% within 24 hours.

Specifications

LED life	50,000 hours
Light intensity	68,000 lux @ 0.5m ±5% 17,000 lux @ 1.0m ±5%
Colour rendering	R _a = 95
Red rendering	R _v = 88
Low voltage	30V 700mA
Colour temperature	>4,200K ±5% (neutral white light)

nviroLED™
vision of the future

LEDs (light emitting diodes) have been around for a long time. Recently this technology has become leading-edge in the field of lighting - a breakthrough technological solution to the inherent problems of the incandescent light bulb. We have taken the technology and developed it further to provide high definition lighting solutions with no infrared, low environmental impact, high brightness, low power consumption, no toxic chemicals and a long operating life.

Environmentally friendly - our green promise.

- NviroLED has an intense clear white light beam equivalent to 75W halogen whilst consuming only 15W.
- 50,000 hours of life from the LED light engine – that's over 25 years of normal clinical use.
- No more bulbs to change - reduces waste by 95% over the light's lifetime.
- No halogen, mercury, cadmium, lead or CFCs. No chemicals harmful to the environment.
- All metal chassis and light-head are not only hard-wearing but can be fully recycled when the light comes to the end of its life.



X400M - Mobile examination light

X400 with XSC ceiling mount

X400 with XSW wall mount

The NviroLED X400 medical examination lights are available as wall, ceiling and mobile versions and include the most versatile spring-balanced suspension arms available for effortless movement to reposition the light-head for your examination requirements.

The X400 has single-handed lighting control, on/off and variable intensity, from a single switch.

Finished with our BioProtect® anti-microbial coating for infection control, this is the most versatile LED lighting solution you will ever need.

With the addition of the X400 mobile for general use, we have a solution for all your examination needs.

DARAY®
Medical

www.daray.com

Tel: 0800 804 8384 Email: info@daray.co.uk