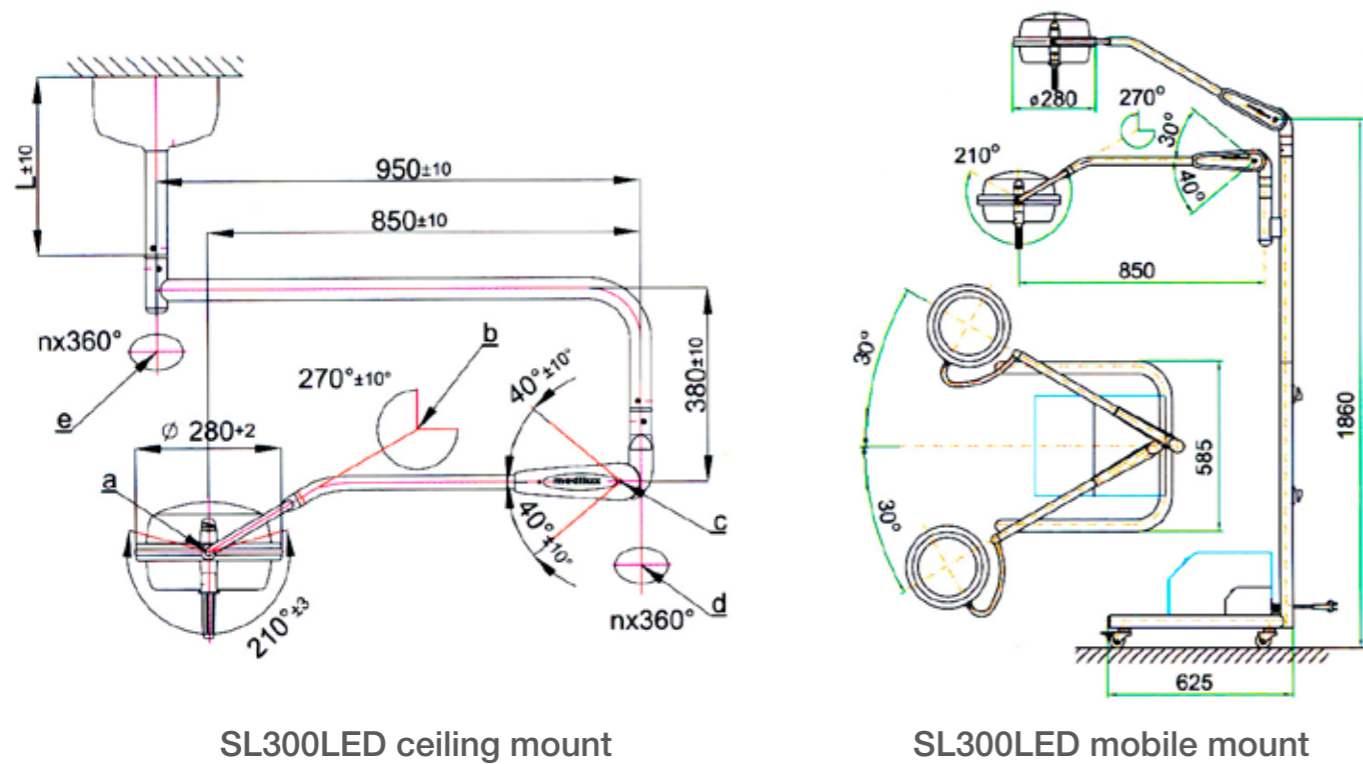
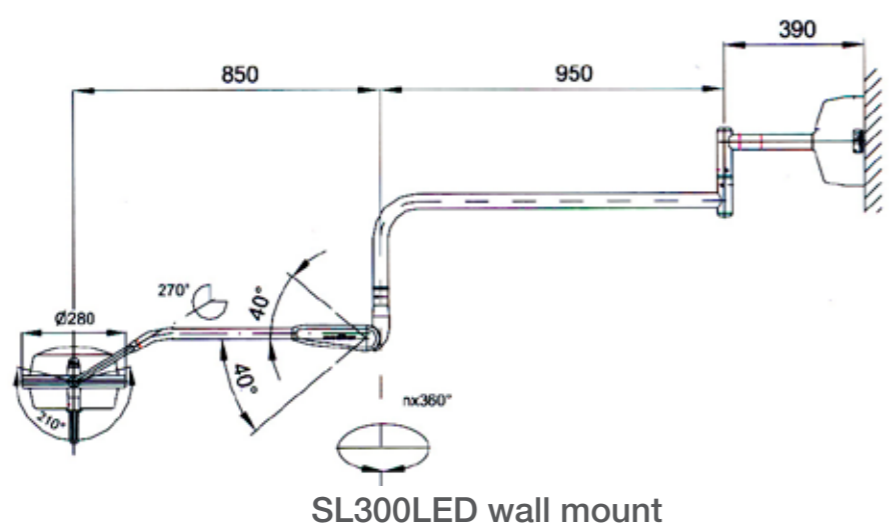


SL300LED



SL300LED ceiling mount

SL300LED mobile mount



SL300LED wall mount

ABOUT DARAY

DARAY have been established in the medical, dental and veterinary markets since 1968 building exceptional and durable products. We shall continue to innovate; aiming to excel in our endeavours to deliver reliable solutions.



www.daray.co.uk
Tel: 0800 804 8384 Email: info@daray.co.uk

QAB-SL300LED-4-1110

Daray make every effort to ensure that the information in this document is correct and accurate, however, we cannot be held responsible for errors and omissions. Daray reserves the right to alter specifications and to add and withdraw products without notice.

nviroLED™
vision of the future

We've gone green, why don't you?

SL300LED

LED examination and minor surgery light



The **DARAY** SL300LED is high performance minor surgical light having the benefit of LED technology. LED surgical lights cost up to 75% less to run than traditional halogen lights and with up to 30,000 hours of life from the LED light engine the SL300LED is a cost effective and energy efficient lighting solution.



www.daray.co.uk

SL300LED

DARAY[®]



We've gone green why don't you?

Features

- Excellent colour rendering - totally natural skin tones.
- Emits no infrared radiation - no increase in temperature in the light-field.
- A strong beam of light with an even intensity across the entire area for clearer viewing and reduced eye strain.
- Excellent range of movement

- Lowest 'total cost of ownership' examination light
- Cost up to 75% less to run than halogen equivalent
- 4,000K colour temperature
- 50,000 lux @ 1m
- Removable autoclavable handle
- Variable intensity option

Specifications

LED life	>30,000 hours
Light intensity	50,000 lux @ 1.0m ±5%
Colour rendering	R _a = 89
Power requirement	0.25A
Power supply	230V 50/60Hz
Colour temperature	>4,000K ±5%
Light Source	19 LED module
Housing Protection	IP20

LEDs (light emitting diodes) have been around for a number of years. Recently this technology has become leading-edge in the field of medical lighting. DARAY have taken this technology and developed it further to provide a high definition lighting solution with high brightness and long operating life, low power consumption, no infrared and no toxic chemicals.

Environmentally friendly - our green promise.

- NviroLED has an intense clear white light beam equivalent to 75W halogen whilst consuming only 15W.
- 30,000 hours of life from the LED light engine
- No more bulbs to change - reduces waste by 95% over the light's lifetime.
- No halogen, mercury, cadmium, lead or CFCs. No chemicals harmful to the environment.



DARAY[®]
Medical

www.daray.com

Tel: 0800 804 8384 Email: info@daray.co.uk