



ABOUT DARAY

DARAY have been established in the medical, dental and veterinary markets since 1968 building exceptional and durable products.

We shall continue to innovate; aiming to excel in our endeavours to deliver reliable solutions.



DARAY minor surgical lights are compliant with ISO 9001 and ISO 13485 quality systems and meet the following directives; BS EN 60601-2-41, IEC:2000, UL60601-1 and CAN/CSA-C22.2 No. 601.1-M-90. All of our products are CE marked which complies to EU safety legislation.



www.daray.com

Tel: 0800 804 8384 Email: info@daray.co.uk

Marquis Drive, Moira, Swadlincote DE12 6EJ

Daray make every effort to ensure that the information in this document is correct and accurate, however, we cannot be held responsible for errors and omissions. Daray reserves the right to alter specifications and to add and withdraw products without notice.

DARAY[®]
HEALTHCARE PRODUCTS



SL180LED

Minor surgical light

DARAY[®]
HEALTHCARE PRODUCTS



SL180LED specifications

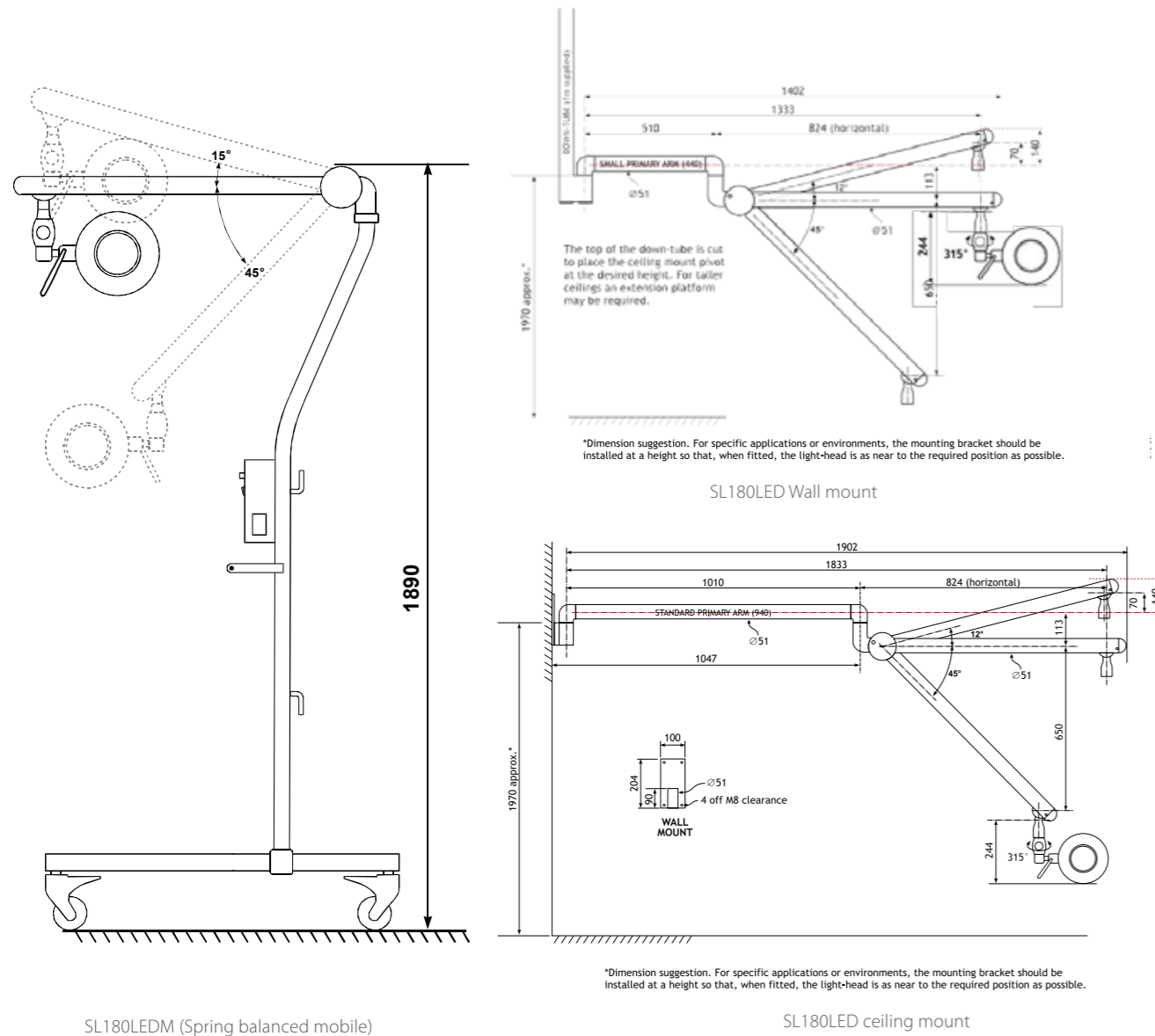


Environmentally friendly lighting without compromise

LEDs (light emitting diodes) have been around for a long time. Recently this technology has become leading-edge in the field of lighting - a breakthrough technological solution to the inherent problems of the incandescent light bulb. We have taken the technology and developed it further to provide high definition lighting solutions with no infrared, low environmental impact, low power consumption, no toxic chemicals and a long operating life.



- NviroLED has an intense clear white light beam equivalent to 100W halogen whilst consuming only 17W.
- 50,000 hours of life from the LED light engine – that’s over 25 years of normal clinical use.
- No more bulbs to change - reduces waste by 95% over the light’s lifetime.
- No halogen, mercury, cadmium, lead or CFCs. No chemicals harmful to the environment.
- Our lights are not only hard-wearing but can be fully recycled when the light comes to the end of its life.



SL180LEDM (Spring balanced mobile)

SL180LED ceiling mount

Specifications

LED life	<50,000 hours
Light intensity	50,000 lux @ 0.75m (normal working distance)
Colour rendering	$R_a = 96$
Power requirement	30W
Power supply	230V 50Hz
Colour temperature	4,200K $\pm 5\%$
Light Source	24V LED module (12 LED)
Shock protection	II

BioProtect® is an antimicrobial solution coating applied to DARAY's products for infection control. Our core products are medical, dental and veterinary lighting used by specialist staff treating patients. Infection is the highest risk in patient environments. BioProtect® provides excellent protection against illness-causing bacteria such as MRSA, Salmonella, E. coli, Campylobacter and many other bacteria and fungal growths.



DARAY® We've gone green why don't you?

DARAY® We've gone green why don't you?

The SL180LED minor surgical light



Spring balanced



Ceiling mount



Flexible gooseneck



NviroLED technology



Mobile mount



Variable intensity



4,200K
Daylight colour temperature



SL180LEDC (Ceiling mounted)



SL180LEDW
(wall mounted)



SL180LEDM
(Spring balanced mobile)

Features

- Variable Intensity from 0% to 100%.
- Excellent colour rendering - totally natural skin tones.
- Emits no infrared radiation - no increase in temperature in the light-field.
- A strong beam of light with an even intensity across the entire area for clearer viewing and reduced eye strain.
- Battery back up options available.

- Lowest 'total cost of ownership' minor surgical light
- Cost up to 75% less to run than halogen equivalent
- 4,200K colour temperature
- 50,000 lux @ 0.75m (normal working distance)
- 35,000 lux @ 1m
- Variable intensity
- Various mounting options available
- Easy to use controls
- Smooth fully enclosed head
- BioProtect® anti-microbial surfaces



Ideal for

Gynaecology

Day surgery

A&E department

Dental implants

Maxiofacial

Podiatry

Dermatology

Mortuary

GP treatment rooms

And many more ...